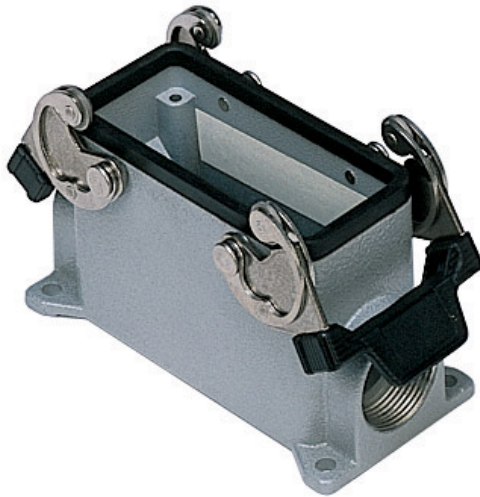


Part number
CMP 06



Brief description:

surface mounting housings with 2 levers, size "77.27" insulated 830V version, Pg21, insulated 830V version, IP66



Product description	
Version	insulated 830V version
Series	Surface mounting housings with 2 levers
Product type	with 2 levers
Family	830V enclosures for CME inserts
Size	size "77.27" insulated 830V version
Technical data	
Material	metal
IP degree of protection	IP66 (and IP69K DIN 40050 - 9)
Cable entry	Pg21
Further technical details	
Weight	337,00 g

Approvals / Standards	
Quality mark	UL (type:4/4X/12), CE, EAC
Conformity	CQC, CE
General ordering information	
EAN13 code	8015747031394
Tariff number	85369095
Packaging Information	
Packaging length	475,00 mm
Packaging height	180,00 mm
Packaging width	175,00 mm
Packaging weight	3,37 kg
Packaging volume	14,96 dm ³
Packaging description	Carton box
Packaging quantity	10 Pcs
Packaging EAN code	8015747231497
Sub-packaging weight	1,69 kg
Sub-packaging description	Plastic packaging
Sub-packaging quantity	5 Pcs
Sub-packaging EAN barcode	8015747031400

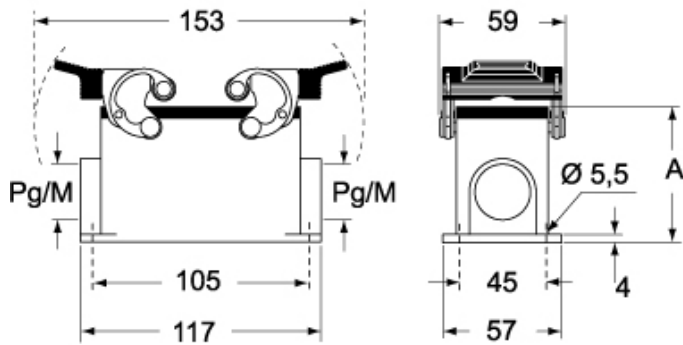
Part number

CMP 06

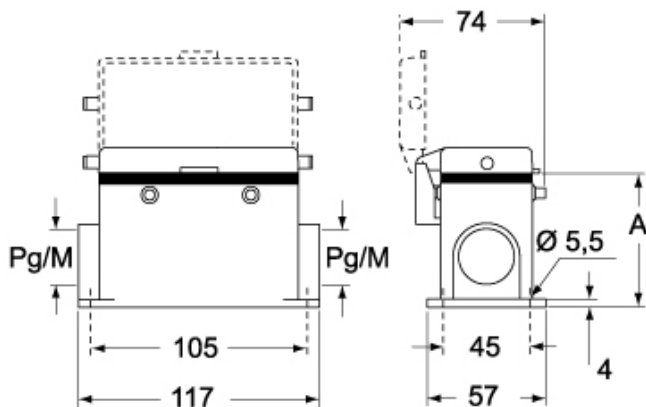


Catalogue drawings

CMP CMAP - MMP MMAP



CMP CS/CP CMAP CS/CP - MMP CS/CP MMAP CS/CP



	A
CMP / MMP	63
CMAP / MMAP	77
CMP CS / MMP CS	63
CMAP CS / MMAP CS	77
CMP CP / MMP CP	63
CMAP CP / MMAP CP	77